

Preliminary

HITACHI

Progressive Scan CCD Color Camera

KP-FD30M

General

The KP-FD30M is a 1/2 inch format single CCD type RGB color camera utilizing a progressive scan CCD image sensor with square pixels and a RGB primary color mosaic filter for VGA resolution output video.



Principal

The KP-FD30M has a built in frame memory to simplify use in image processing applications.

◆Suitable for use with image-processing equipment

Small size and lightweight design are made possible by the adoption of a multi-pin connector (video signals, power supply, serial control signal, etc.), allowing a single cable connection to image processing equipment.

◆High resolution and high color fidelity

Through the adoption of a progressive scan CCD image sensor with an RGB primary color mosaic filter, a picture with high vertical resolution and high color fidelity can be acquired.

◆Trigger & memory function

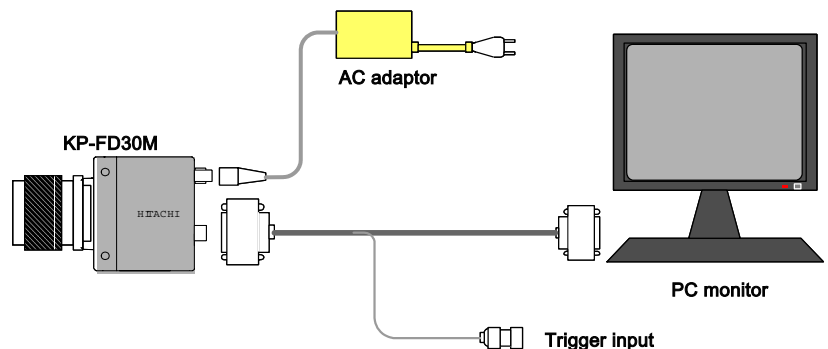
A frame memory is used in the camera so that a continuous video output is provided during triggered operation. The built in frame memory eliminates the need for a frame grabber to view the image captured by an external trigger.

◆Others...

- Electronic shutter
- Auto level control (AES & AGC)
- White balance
- Function setting by the OSD (menu) or remote control

Main specification

Imaging device	1/2-inch progressive scan interline CCD
No. of effective pixels	659(H)×494(V)
Scanning frequency	H: 31.468kHz, V: 59.94Hz
Pixel frequency	24.545MHz
Frame rate	60 fps
Sync system	Internal / external (HD/VD)
Video signal output	Analog RGB 0.7Vp-p/75Ω
Standard sensitivity	2.000 lx (F5.6, 3.200K, 100IRE)
S/N (G signal)	50dB (AGC, enhancer and gamma off)
Lens mount	C/CS mount (Flange-back adjustment)
Power supply	DC12V±10% (Approx. 370mA)
External dimensions	58(W)×58(H)×48(D)mm
Mass	Approx. 220g



Usage

On-line color inspection, microscope, gauging, color printing

★Please see the product specification for details.

Hitachi Kokusai Electric Inc.

December 22, 2004