

Progressive Scan Industrial Camera Series Featuring GigE Vision Interface

Color Cameras KP-FD500/202GV
 Black & White Cameras KP-F500/202GV



Speed: 1 Gbps
Distance: 100m



GigE Vision

Interface Features

Gigabit Ethernet interface

Direct connection is possible to PC by the Gigabit Ethernet cable. This cable is less bulky compared with parallel digital output cabling.

GigE Cable length can be extended to maximum 100m without hub and switcher.

GigE Vision™ (Ver 1.00) compatible

Based on Industrial camera interface standard GigE Vision, a maximum of 1Gbps high speed data transmission is available and suitable for image processing.

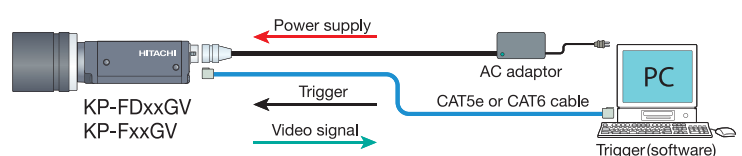
GENiCAM™ (Ver 1.00) compatible

Development of camera control system is easy because industrial camera control API "GENiCAM" lead EMVA (European Machine Vision Association).

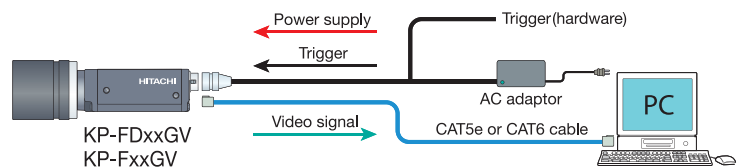
PoE correspondence

Power supply can be input via Ethernet cable (Power over Ethernet).

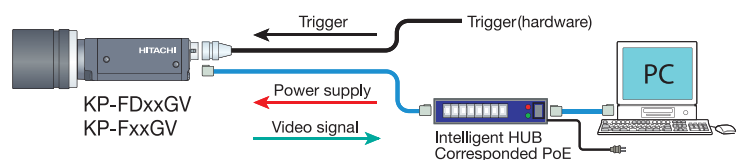
Direct connection to PC and triggered via Ethernet (software trigger)



Direct connection to PC and triggered via multi-connector (Hardware trigger)



Connection via HUB/switcher to PC and power supply via the Ethernet (PoE)



Main Features

1. High resolution & High Frame rate

KP-FD500GV 5M pixel/ 7fps
 KP-F500GV 5M pixel/14fps
 KP-FD202GV UXGA/18 fps
 KP-F202GV UXGA/24 fps

2. High color fidelity (Color Model)

RGB primary color mosaic filter achieve high color fidelity.

3. Versatile CCD drive functions

- Auto electronic Shutter mode (AES)
Adjusted automatically from 10 second to approx. 1/100,000 second.
- Preset electronic shutter mode Multi-step up to 1/50000 second in 8 steps.
- Variable electronic shutter mode Variable at 1H steps from 10 second to approx. 1/100,000 second.

4. White balance (Color Model)

ATW : Auto-tracking white balance mode
 MANUAL : Manual white balance (R, B gain control)
 One-Push : Auto adjust function

5. 6 color independent masking (Color Model)

Saturation and hue of primary colors R, G, B and complementary colors Cy, Mg, Ye can be independently varied, allowing highly accurate color reproduction of difficult colors for use in image capture, microscopy, and other applications.

6. External trigger

An external trigger signal input can be used to capture an image at desired timing for instant view or processing. The software trigger via a Gigabit Ethernet cable and the hardware trigger can deal with all trigger signals.

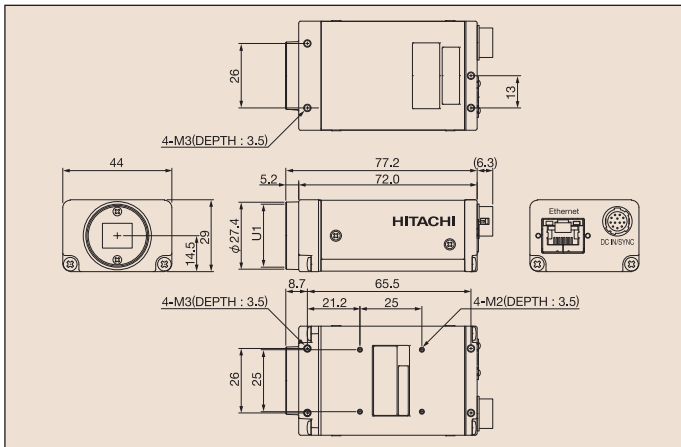
7. Versatile output image format (Color Model)

The output format can be selected as RGB 8/10/12 bit, YUV (4 : 2 : 2) 8/10/12 bit, RAW 8/10/12 bit or MONO 8/10/12 bit .

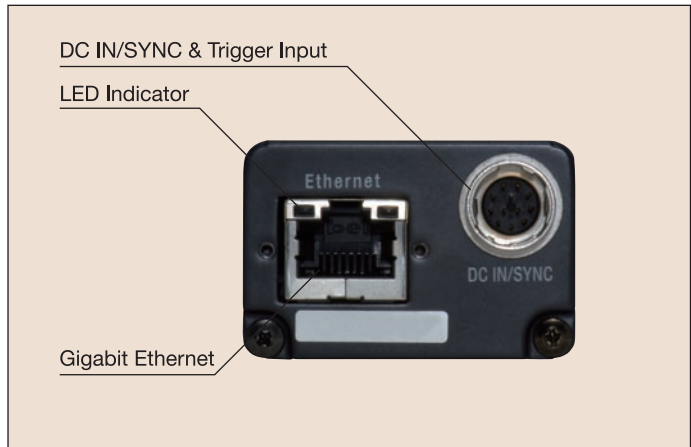
Main specifications

Model	KP-FD500GV	KP-F500GV	KP-FD202GV	KP-F202GV
Imaging device	2/3-inch interline CCD (RGB primary color mosaic filter)	2/3-inch interline CCD	1/1.8-inch interline CCD (RGB primary color mosaic filter)	1/1.8-inch interline CCD
Effective pixels	2456(H) × 2058(V)		1628(H) × 1236(V)	
Unit cell size	3.45μm(H) × 3.45(V)μm (square lattice)		4.4μm(H) × 4.4(V)μm (square lattice)	
Scanning system	Progressive			
Sync system	Internal/External (Trigger)			
Video system	GigE Vision			
Frame rate	7 frames per second (full pixel readout)	14 frames per second (full pixel readout)	18 frames per second (full pixel readout)	24 frames per second (full pixel readout)
Data format	RGB/YUV(4:2:2)/ RAW/Mono, 8/10/12bit	Mono, 8/10/12bit	RGB/YUV(4:2:2)/ RAW/Mono, 8/10/12bit	Mono, 8/10/12bit
Power supply voltage	DC12V / IEEE802.3af-compliant power over Ethernet			
External dimensions	44(W) × 29(H) × 72(D)mm			
Mass	Approx.140g			

Dimensions



Rear View



CAUTION : To ensure safe operation, please read the instruction manual before using this product.

Hitachi Kokusai Electric Inc.

Head Office : 14-1, Sotokanda 4-choume, Chiyoda-ku, Tokyo 101-8980, Japan
 Phone : +81(0)3-6734-9432, Fax : +81(0)3-5209-5942
 URL : <http://www.hitachi-kokusai.co.jp/>

Beijing Office: Beijing Fortune Building 5, Dong San Huan Bei-lu, Chao Yang District, Beijing, 100029 China
 Phone : +86(0)10-6590-8755/8756, Fax : +86(0)10-6590-8757

Hitachi Kokusai Electric America, Ltd. URL : <http://hitachikokusai.us>

Headquarters and : 150 Crossways Park Drive, Woodbury, New York 11797, U.S.A.

Northeast Office : Phone : (+1)516-921-7200, Fax : (+1)516-496-3718

West Office : 371 Van Ness Way, Suite 120 Torrance, CA. 90501, U.S.A.

Phone : (+1)310-328-6116, Fax : (+1)310-328-6252

Midwest Sales : Phone : (+1)330-334-4115, Fax : (+1)516-496-3718

Service : (+1)989-345-5379

South Sales : Service : (+1)256-774-3777

Parts Center : Phone : (+1)516-682-4435, Fax : (+1)516-921-0993

Latin Sales : Phone : (+1)516-682-4420, Fax : (+1)516-496-3718

Hitachi Kokusai Electric Canada, Ltd. URL : <http://hitachikokusai.ca>

Head Office : 1 Select Avenue Unit#11 Scarborough, Ontario M1V5J3, Canada

Phone : (+1)416-299-5900, Fax : (+1)416-299-0450

Eastern Office : 5795 Chemin St. Francois St. Laurent, Quebec H4S 1B6, Canada

Phone : (+1)514-332-6687, Fax : (+1)514-335-1664

These Specifications are subject to change without notice.

Hitachi Kokusai Electric Europe GmbH URL : <http://www.hitachi-ke-eu.com>

Rodgau Office Weiskircher Straße 88, Jübau, Germany

Phone : +49(0)6106-69920, Fax : +49(0)6106-16906

General email address : info@hitachi-ke-eu.com



CERTIFICATE No.
 JMI-0062
 ISO 9001/BS 5750Pt1
 EN 29001/JIS Z9901