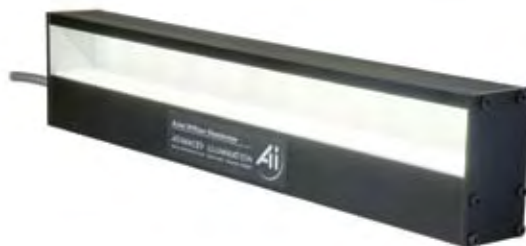


## DL110

### Linear Axial Diffuse Illuminator

- Aii** Even illumination over the full 25mm x 300mm field of view - ideal for Coaxial Line Scan applications
- Aii** Includes high efficiency, coated easy clean dust cover to protect the beam splitter combining glass



#### Ordering Information

Standard Product:  
Shipped Next Day

Standard Product Variation:  
Shipped Within Two Weeks

#### DL110-WHIIC

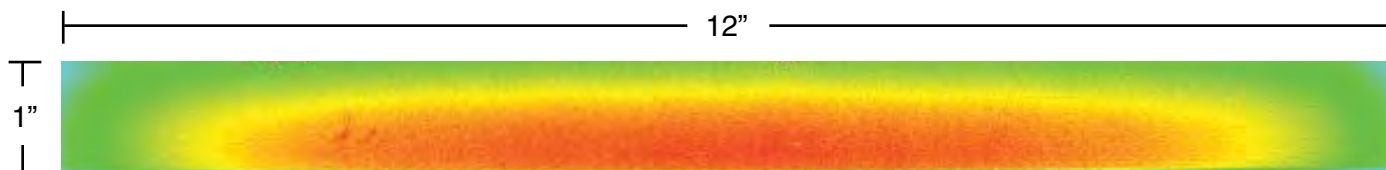
Configured with in-line  
Current Source (iCS)

DL110	-	XXX	XX	XXX
		Spectral wavelength	Optional power compatibility	Alternative Connector
		(blue) 470	IC	M12*
		(green) 530	IS	
		(amber) 590	C2	
		(red) 625	C3	
		(IR) 850	C5	
		(white) WHI	24	

IC = iCS (requires 24v power supply)  
IS = ISU (requires 24v power supply)  
C2 = Ai Connector  
C3 = Pulsar 710 Connector  
C5 = Pulsar 320 Connector  
\* Available with IC, IS, and 24v options only

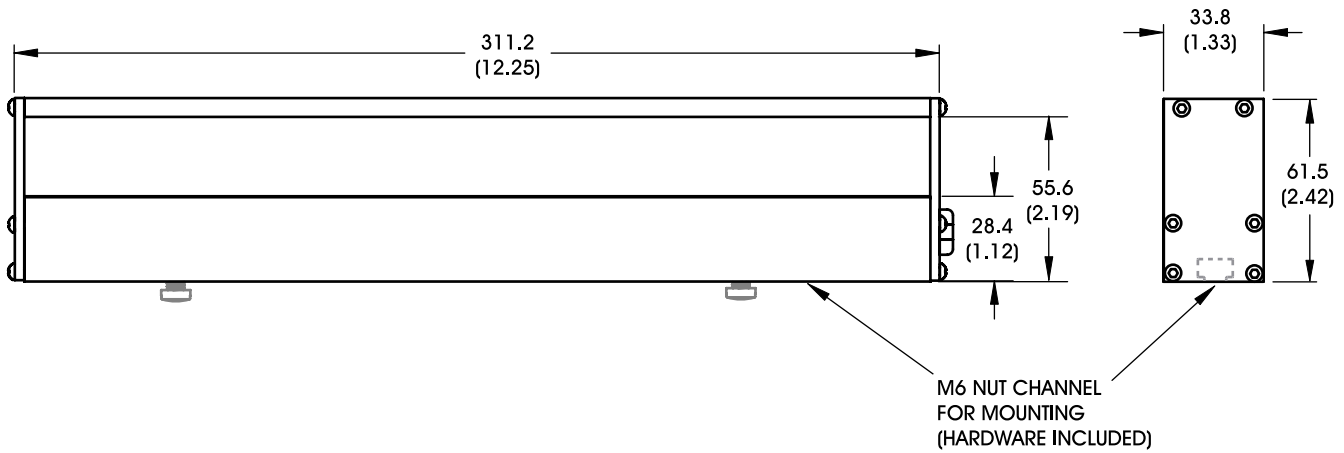
**Optimal working distance:**  
25.4mm (1")  
**Effective Working Range:**  
12.7-50mm (.5"-2")

#### Intensity Distribution



Dimensional Information

[Click for Installation Models & Drawings](#)



Cable Length: 2 Meters (78")

DIMENSIONS ARE IN MILLIMETERS (INCHES)

Standard Variation Current Specifications

	blue	green	amber	red	infra-red	white	
Ai / iCS	700	700	700	700	700	700	mA

General Specifications

Weight:	583.05 g (23.0)
Finish:	Black Anodized
Operating Temperature:	0-60°C
Meets Specifications:	CE, RoHS

Standard Product Information

White	Max. Illumination	Irradiance (mW/cm <sup>2</sup> )	Illuminance (Lux)
	Working Distance: 25mm (1")	2.32	9,800
	Lifetime	50,000 hrs	

Additional Information