

RL36120

Bright Field Ring Light



- 4i** Intense illumination for large areas, where specular reflection is not a problem
- 4i** Available in the RGB "All Color" version

Ordering Information

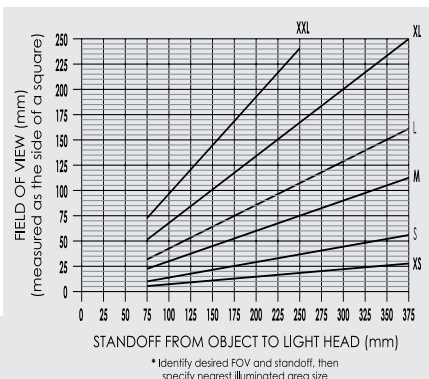
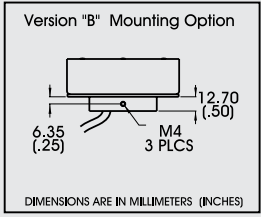
Standard Product:
Shipped Next Day

RL36120-660200XL

Configured for use with Ai Power Supply

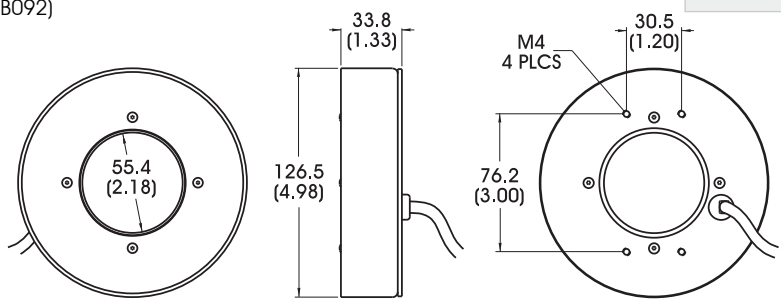
Standard Product Variation:
Shipped Within Two Weeks

| Mounting option | Spectral wavelength | Stand off | Field of view | Optional power Compatibility | Optional Light Conditioning | Alternative Connector |
|-----------------|---|--------------------------------|--------------------------------|--|-------------------------------|-----------------------|
| RL36120 X | XXX | XXX | XXX | XX | X | XXX |
| B | (UV) 395 [◇] (blue) 470 [†] (green) 520 [†] (yellow) 590 (orange) 625 (red) 660 [⊙] (infra-red) 880 [⊙] (white) WHI [†] (all color) RGB [†] [⊙] | See chart to compute standoff. | XXL XL L M S XS | IC IS C2 C3 C5 12 24 | D (Diffuser) P (Polarizer) | M12* |



Dimensional Information

Includes Mounting Bracket (Part # CB092)



[Click for Installation Models & Drawings](#)

◇ UV LEDs have a considerably shorter half-life than other LEDs (< 1000hrs). For this reason Ai recommends these LEDs be used in strobe mode only. applications requiring continuous 24v power, contact Ai for assistance.

- IC = ICS (requires 24v power supply)
- IS = ISU (requires 24v power supply)
- ⊙ IS option not available
- C2 = Ai Connector
- C3 = Pulsar 710 Connector
- C5 = Pulsar 320 Connector
- * Available with IC, IS, and 24v options only
- † Not available in 12v
- ⊙ ICS option not available

Cable length: 1.5 Meters (59")

| | blue | green | yellow | orange | red | infra-red | white | RGB | |
|-----|------|-------|--------|--------|-----|-----------|-------|-----|----|
| @12 | N/A | N/A | 400 | 400 | 600 | 640 | N/A | N/A | mA |
| @24 | 480 | 480 | 240 | 240 | 360 | 280 | 480 | 440 | mA |

| Standard Product Information | |
|------------------------------|--------------|
| Product Lifetime: | 50,000 hours |
| Operating Temperature: | 0-60° C |