

RL5064

Combination Bright Field/Dark Field Illuminator



- 4i) Dual Functionality - bright field and dark field illumination in a compact housing
- 4i) Bright Field and Dark Field can be used independently

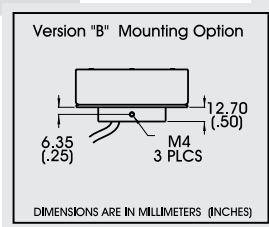
Ordering Information

Standard Product:
Shipped Next Day

Standard Product Variation:
Shipped Within Two Weeks

RL5064-660

Configured for use with Ai Power Supply

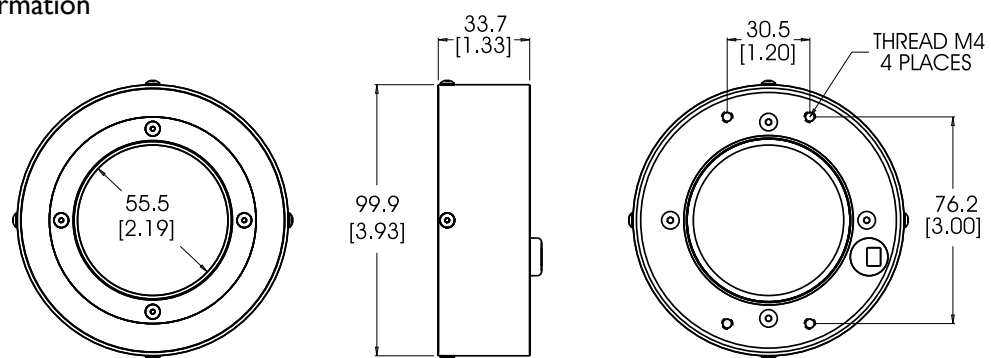


Mounting option	Spectral wavelength	Optional power Compatibility	Alternative Connector
RL5064 X	-	XXX	XXX
B	(UV) 395 ◊ (blue) 470 † (green) 520 † (yellow) 590 (orange) 625 (red) 660 (infra-red) 880 (white) WHI †	IC ▼ IS ▼ C2 C3 C5 ▼ 12 24	M12* male

◊ UV LEDs have a considerably shorter half-life than other LEDs (<1000hrs). For this reason Ai recommends these LEDs be used in strobe mode only. For applications requiring continuous 24v power, contact Ai for assistance.

IC = ICS (requires 24v power supply)
IS = ISU (requires 24v power supply)
C2 = Ai Connector
C3 = Pulsar 710 Connector
C5 = Pulsar 320 Connector
* Available with IC, IS, and 24v options only
† Not available in 12v
▼ Requires a dual cable

Dimensional Information



[Click for Installation Models & Drawings](#)

DIMENSIONS ARE IN MILLIMETERS (INCHES)

Standard Variation Current Specifications

	blue	green	yellow	orange	red	infra-red	white	RGB	
@12	N/A	N/A	360	360	360	360	N/A	N/A	mA
@24	360	360	360	360	360	360	360	N/A	mA

Standard Product Information

Product Lifetime:	50,000 hours
Operating Temperature:	0-60° C