

# SL147

## High Brightness LED Spot Light



- Aii** Replaces the SL6404
- Aii** High intensity illumination from a long distance.
- Aii** Compact design includes passive thermal management and convenient M4 nut channel for mounting

### Ordering Information

Standard Product:  
Shipped Next Day

Standard Product Variation:  
Shipped Within Two Weeks

#### SL147-WHIIC

Configured for use with user supplied 24v regulated power supply.

SL147	Lens Option ^	Spectral wavelength	Optional Power Compatibility	Wash Down Option	Optional Light Conditioning	Alternative Connector
	X	XXX	XX	X	X	XXX
	M	(UV) 395 ◊	IC	W	D◦	M12*
	W	(blue) 470	IS		(Diffuser)	
		(green) 530	C2		P◦	
		(amber) 590	C3		(Polarizer)	
		(red) 625	C5			
		infrared 850 ◊				
		(white) WHI				

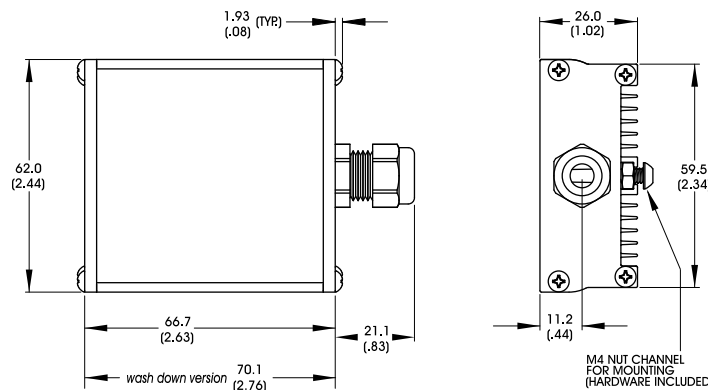
IC = iCS (requires 24v power supply)  
 IS = iSU (requires 24v power supply)  
 C2 = Ai Connector  
 C3 = Pulsar 710 Connector  
 C5 = Pulsar 320 Connector  
 \* Available with IC and IS options only  
 ◦ Not available in combination with Wash Down Option  
 ◊ Available with Medium lens option only

#### Optimal working distance:

152.4mm (6") - 609.6mm (24")

^ Leave blank for Standard, Narrow (N) Lens

### Dimensional Information



[Click for Installation Models & Drawings](#)

Standard Variation Current Specifications								Standard Product Information	
	UV	blue	green	amber	red	infra-red	white	Weight:	122.5 g (4.4 oz)
@24	350	350	350	350	350	350	350	Finish:	Black Anodized
								Operating Temperature:	0-60 C
								Meets Specifications:	CE, RoHS
								Product Lifetime:	50,000 hours