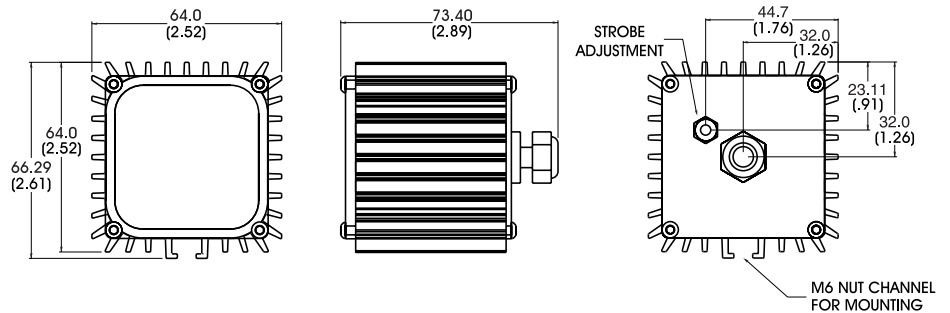


# SL6404

## High Intensity Spot Light

The SL6404 provides intense, structured illumination in a compact housing. Featuring Evenlite II aiming technology, the SL6404 is built to put light where it is needed and can be ordered with an internal strobe and/or wash down option.

Operating Temperature: 65 degrees  
Standard Product Life: 50,000 hours



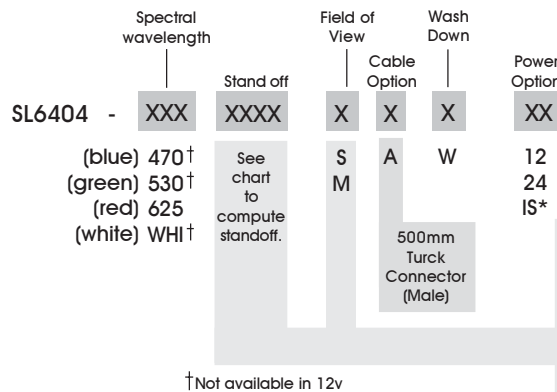
### Ordering Information

In Stock product  
Ships next day

Standard Product Variation  
Shipped within two weeks

### SL6404

P/N: SL6404-WHI0300M24  
Configured for use with user supplied 24v regulated power supply.



DIMENSIONS ARE IN MILLIMETERS (INCHES)

**\*Internal Strobe:**  
Pulse width: 10-200µSec  
Trigger input: 3-24v rising edge, CMOS/TTL compatible  
30Hz maximum

