

Ikegami

GIVING NEW VALUE TO IMAGES

High Performance & Hyper Wide Light Dynamic
Dome Camera Series



High performance DSP Super Dome Color Camera

ICD-608

Vandal Resistant High Performance DSP Super Dome Color Camera

ICD-608VR

Hyper Wide Light Dynamic DPS Dome Color Camera

ISD-A30 HYPER
DYNAMIC

Vandal Resistant Hyper Wide Light Dynamic DPS Dome Color Camera

ISD-A31 HYPER
DYNAMIC

High Performance DSP Super Dome Color Camera ICD-608



Vandal Resistant High Performance DSP Super Dome Color Camera ICD-608VR



Multi Function Aesthetic Appearance

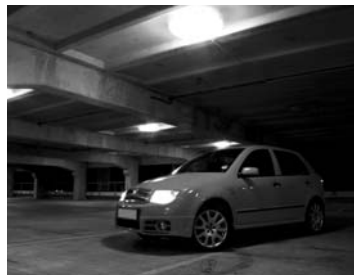
It designed to be unobtrusive and not conflict with the aesthetic properties of stores and commercial/residential areas. And it equips various functions like BLC (Back Light Compensation), AGC, AC Line-Lock and Crystal Lock, Service Monitor Output (RCA) etc.

ACK (Automatic Chroma Killer) Function and High Sensitivity

The camera can automatically deliver color and monochrome video in accordance with condition of illumination. It achieves a minimum subject illumination of 2.0 lux in color and 0.4 lux in Monochrome. It is ideally suited for uses, such as around-the-clock surveillance in the open air where no lighting could be installed.



Color mode



Monochrome mode

Easy Installation and Set up Dome Camera

Easy Installation and Set up



High Resolution

The camera delivers 480 lines of horizontal resolution with a signal-to-noise ratio of 48 dB. It boasts superior picture quality and allows for the reproduction of clear color images.

Built-In Vari-focal Lens

Equipped with a Varifocal lens as standard, which can help the view angle adjustment without trouble.

Lens variations

Type 26 : 2.6mm - 6mm

Type 49 : 4mm - 9mm

Type 92 : 9mm - 22mm

Ceiling Mount for ICD-608

The ICD-608 can be recessed into ceiling, showing only dome portion of the camera with the optional ceiling mount adaptor.



XHG-6829 (Option) and ICD-608

Vandal Resistant ICD-608VR

The ICD-608VR is a vandal resistant dome camera in a cast aluminum housing (with the strength of 10 gauge steel) and polycarbonate dome, it can withstand the equivalent of 120 lbs of force and are sealed for outdoor use.



IK-WMV (Option) and ICD-608VP

HYPER HD DYNAMIC

Hyper Wide Light Dynamic Color DPS Dome Camera **ISD-A30**



Vandal Resistant Hyper Wide Light Dynamic DPS Dome Color Camera **ISD-A31**



As the newest addition to the Ikegami Hyper Dynamic Camera Series, Model 'ISD-A30' and 'ISD-A31' employs an extremely wide light dynamic range and a high sensitivity sensor of 0.8 lux enabled by the newest Pixim DPS technology and Ikegami's digital processing technology. It is a Hyper Wide Light Dynamic Range Camera that reproduces a clear and natural image even in locations where there is a significant difference in the intensity of illumination, such as window areas, or in lobby entrances of buildings.

Hyper Wide Dynamic Light range

The Pixim DPS (Digital Pixel System) sensor combined with Ikegami's original digital processing technology enables a 95dB extremely wide dynamic range. The joining of these two technologies allows for the reproduction of the clearest and most natural images. It also resolves the unnatural Picture Shake that is often seen in Non-DPS wide dynamic range cameras.



Conventional Model



ISD-A30/A31

No Vertical Smear

Because the camera utilizes a DPS non CCD Sensor, there is no vertical smear. It is capable of capturing an object, without vertical pixel overload, in strong direct light such as vehicle headlights while parked or moving on the road.

3-Axis

The ISD-A30/A31 provides 3 Axis adjustable of Plus/Minus 45 degree Up and Down, Plus/Minus 45 degree Slant and 360 degree rotation Angle in a shapely Dome type housing.



Conventional Model



ISD-A30/A31

OSD Local Set-up functions

This Dome camera comes with built-in control panel for camera setup and memory for Camera ID, AGC On/Off, LL/Internal Sync selection and LL phase adjustment, ATW/ATW-ex/AWC or Manual selection, Hyper WDR range control, Iris control setting, Electronic Sensitivity Control, BLC Control and Spot area setting, Detail Correction Management, Digital Noise Reduction On/Off, Chromatic level control, for easy installation and setup.

Additional functions

The ISD-A30/31 comes equipped with other useful functions such as a digital noise reduction, an optimum monitor select function for CRT or LCD types, various modes of AGC control, Spot assignable Back light compensation function, and AC line lock or Crystal controlled internal sync lock, all essential in specialist monitoring applications.

Built-In Vari-focal Lens

Equipped with a Varifocal lens as standard, which can help the view angle adjustment without trouble.

Lens variations

Type 26 : 2.6mm - 6mm

Type 49 : 4mm - 9mm

Type 92 : 9mm - 22mm

Ceiling Mount for ISD-A30

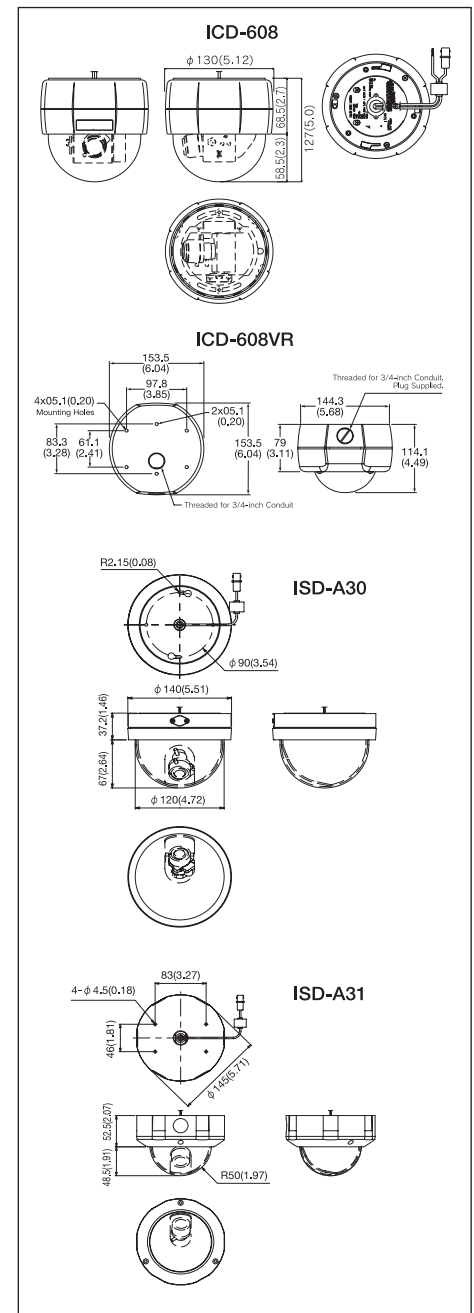
The ISD-A30 can be recessed into ceiling, showing only dome portion of the camera with the optional ceiling mount adaptor.

High Performance & Hyper Wide Light Dynamic Dome Camera Series

■ Specifications

	ICD-608	ICD-608VR	ISD-A30	ISD-A31
Image Sensor	1/3-inch IT-CCD sensor		1/3-inch PIXIM DPS sensor	
Effective Pixels	NTSC: 768(H) X 494(V), 380,000 pixels approx.		720(H) X 540(V), 390,000 pixels approx.	
Scanning System	NTSC: 525 lines at 60Hz 2:1 interlace		NTSC: 525 lines at 60Hz 2:1 interlace, PAL: 625 lines at 50Hz, 2:1 interlace	
Sync System	Crystal controlled internal Lock or AC Line-Lock, selectable			
Video Output	VBS 1.0Vp-p/75Ω			
Horizontal Resolution	480 TV Lines			
S/N Ratio	48dB / rms or better		50dB / rms or better	
Minimum Illumination	COLOR : 2lux [50 IRE] (ACK OFF) MONOCHROME : 0.4lux [25 IRE] (ACK ON)		0.8 lux [50 IRE] (AGC ON) 0.025 lux [50 IRE] (Electronic Sensitivity control ON Max. 32X)	
White Balance	Built-in, ATW (Auto Tracking White Balance)		Built-in, ATW/ ATWex / AWC / MANUAL Selectable	
Hyper Wide Light Dynamic Range Control	—		Built-in, 36 Step Level Adjustment	
AGC	Built-In (ON-fixed)		Built-in, ON(AGC, HYPER AGC) / OFF(LOW, MID, HIGH) switchable	
Electronic Sensitivity Control	—		Built-in Max. 32 times multiplication	
Digital Noise Reduction	—		Built-in, ON/OFF Switchable	
Monitor Output Selection	—		Built-in for either CRT type or LCD type	
ACK Function	ON/OFF switchable		—	
Auto Iris Function	Built-in, DC Iris Level Adjustable			
Camera ID Function	—		Built in (1 line 24 characters)	
Power Requirement	AC24V±10% (50Hz) DC12V (10.5V~15V)		AC24V±10%(50Hz/60Hz) DC12V (10.5V~15V)	
Power Consumption	AC24V:3.2W approx. DC12V:2.9W approx.		AC24V:2.8W approx. DC12V:2.4W approx.	
Ambient Temperature	-10°C~+50 °C (-13.5°F~+122°F)			
Dimensions	φ130 X H127mm (φ 5.12 x H5.0 inches)	φ153.5 x H121.4mm (φ 6.04 x H4.78 inches)	φ140 x H104.2mm (φ 5.51 x H4.10 inches)	φ145 x H101mm (φ 5.71 x H3.98 inches)
Weight	640g approx. (1.41 lbs)	1655g approx. (3.65 lbs)	570g approx. (1.26 lbs)	1160g approx. (2.56 lbs)
Input/Output Connector	Video Output : Coaxial cable pig-tailtype AC24V/DC12V Input : 2 core wire pig-tail type		Monitor Output : RCA	
Accessories	Instruction Manual, Mounting Plate		Instruction Manual	

■ Dimensions:mm(inch)



* This product is made of ECO friendly components based upon the Company policy and Corporate Social Responsibility to help Global Environmental solution for energy conservation and environmental sustainability, and all the components used in this product are Non-hazardous, Toxic Free, Non-Lead materials and parts conforming with Japan's Green Product Regulation, EU's RoHS Directive, and other environmental and hazardous chemical substances related regulations and laws.

* Design and specifications are subject to change without notice.

U134A073-HI

Ikegami IKEGAMI ELECTRONICS (U.S.A.), INC.

■ URL <http://www.ikegami.com>

HEADQUARTERS 37 BROOK AVENUE, MAYWOOD, NJ 07607
Phone:(201) 368-9171 Fax:(201) 569-1626

WESTCOAST OFFICE 2631 MANHATTAN BEACH BLVD., REDONDO BEACH, CA 90278
Phone:(310) 297-1900 Fax:(310) 536-9550

SOUTHWEST OFFICE 773 BEARDEN WAXAHACHIE, TX 75167 Phone:(972) 869-2363 Fax:(972) 556-1057

MIDWEST OFFICE 747 CHURCH ROAD, UNIT C1, ELMHURST, IL 60126 Phone:(630) 834-9774 Fax:(630) 834-8689

SOUTHEAST OFFICE 5200 N.W. 33RD AVENUE, SUITE 111 FORT LAUDERDALE, FL 33309 Phone:(954) 735-2203 Fax:(954) 735-2227

ISO 9001

ISO 14001



Certified
JQA-0755

Certified
JQA-EM3888