

Ikegami

HYPER[®] HDYNAMIC

Hyper Wide Light Dynamic

Color Camera Series



Hyper Wide Dynamic, Super Cube Color Camera

ISD-A10

Hyper Wide Dynamic, High Sensitivity Color Camera

ISD-A20

*Hyper Wide Light Dynamic Range,
True Day / Night Color Camera*

ISD-A21

HYPER HD DYNAMIC

Hyper Wide Light Dynamic Color Camera Series

As the newest addition to the Ikegami Hyper Dynamic Camera Series employs an extremely wide light dynamic range enabled by the newest Pixim DPS technology and Ikegami's digital processing technology.

It is a Hyper Wide Light Dynamic Range Camera that reproduces a clear and natural image even in locations where there is a significant difference in the intensity of illumination, such as window areas, or in lobby entrances of buildings.

Hyper Wide Dynamic range

The Pixim DPS (Digital Pixel System) sensor combined with Ikegami's original digital processing technology enables a 95dB extremely wide dynamic range. The joining of these two technologies allows for the reproduction of the clearest and most natural images. It also resolves the unnatural Picture Shake that is often seen in Non-DPS wide dynamic range cameras.

Entrance scene



Conventional type camera



ISD-A Series

*

Casino scene



Conventional type camera



ISD-A Series

*

View from inside of ATM



Conventional type camera



ISD-A Series

*

No Vertical Smear

Because the camera utilizes a DPS non CCD Sensor, there is no vertical smear. It is capable of capturing an object, without vertical pixel overload, in strong direct light such as vehicle headlights while parked or moving on the road.



Conventional type camera

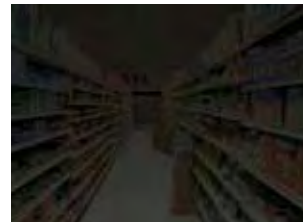


ISD-A Series

*

Electronic Sensitivity Control Function

As the ISD-A Series are equipped with an electronic sensitivity control function of up to 32 times, it covers the scene which requires high sensitivity.



Conventional type camera



ISD-A Series

*

Additional functions

It is selectable a monitor display mode which delivers optimum video picture in accordance with a CRT monitor or a LCD monitor. (Not on ISD-A10)

The ISD-A10/A20 features functions such as an intelligent back light compensation (BLC) with sensing area control function, various automatic white balance controls including extended

coverage of sodium lighting at ATW-ex, Digital noise reducer, Optimum monitor select function for CRT type or Flat display type (Not on ISD-A10), two-way auto-iris control function, and AC line lock or internal lock selection, all essential in monitoring applications.

Hyper Wide Light Dynamic, Super Cube Color Camera

ISD-A10

■ Compact body of Super Cube

The ISD-A10 comes with a compact body of just W2-1/2 X H2-1/2 X D2 inches, giving it the flexibility for a broad array of locations and equipment, such as ATM machines and outdoor housings.

■ Superior Picture Quality

The camera delivers 480 TV lines of horizontal resolution with a signal-to-noise ratio of over 50 dB. It boasts superior picture quality and allows for the reproduction of clear color images.

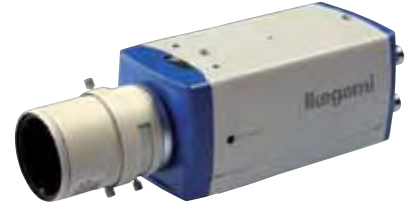


Hyper Wide Light Dynamic, High Sensitivity Color Camera

ISD-A20

■ The ISD-A20 delivers 480 TV lines of horizontal resolution with a signal-to-noise ratio of over 50 dB. It boasts superior picture quality and allows for the reproduction of clear color images.

■ It achieves a minimum object illumination of 0.5lux /F1.4 (0.37lux / F1.2). In addition, the camera is equipped with an electronic sensitivity control function of up to 32 times and it is able to capture an image with a light level as low as 0.015 lux / F1.4 (0.012lux / F1.2).



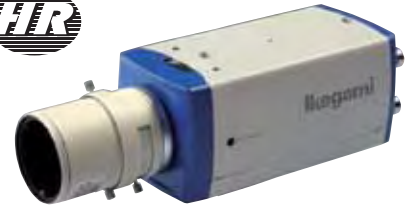
Hyper Wide Light Dynamic Range, High Sensitivity and High Performance True Day / Night Color Camera

ISD-A21

■ The ISD-A21 delivers 520TV lines of horizontal resolution with a signal-to-noise ratio of over 50 dB. It boasts superior picture quality and allows for the reproduction of clear color images.

■ It achieves a minimum object illumination of 1lux /F1.4 (0.75lux / F1.2) in color and 0.1lux/F1.4 (0.75lux/F1.2) in monochrome. In addition, the camera is equipped with an electronic sensitivity control function of up to 32 times and it is able to capture an image with a light intensity as low as 0.03 lux / F1.4 (0.023lux / F1.2) in color and 0.003lux/F1.4 (0.0023lux/F1.2) in monochrome.

■ Not only does the ISD-A21 produce a high quality daytime color image, but also a clear night time monochrome image is delivered due to the True Day/Night change-over system by which it changes to a monochrome mode automatically in low light conditions. It also can be controlled by a switch through external sensors, etc.



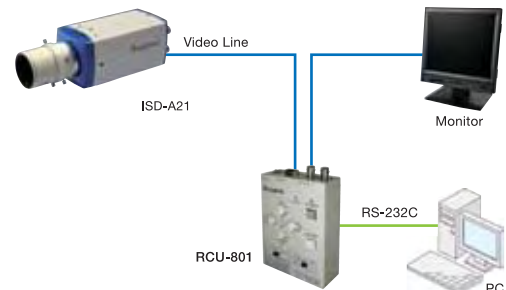
Color mode



Monochrome mode

New Remote Control Unit, RCU-801 Coax Remote or RS-232C Remote

This unit is a control box for camera setups for various parameters using OSD, On-Screen-Display. And not only conventional Video coax cable connection controls, but also the provision for RS-232C link application is on. This DC12V or AA Battery operated control box makes camera setup and adjustment work very easy and effort-less even in difficult places for camera installation.



HYPER DYNAMIC Dome Type Color Camera Series

Model ISD-A30 is the dome camera of the same Hyper Wide Light Dynamic Color Camera Series. The polycarbonate vandal resistant type is available as ISD-A31.



ISD-A30



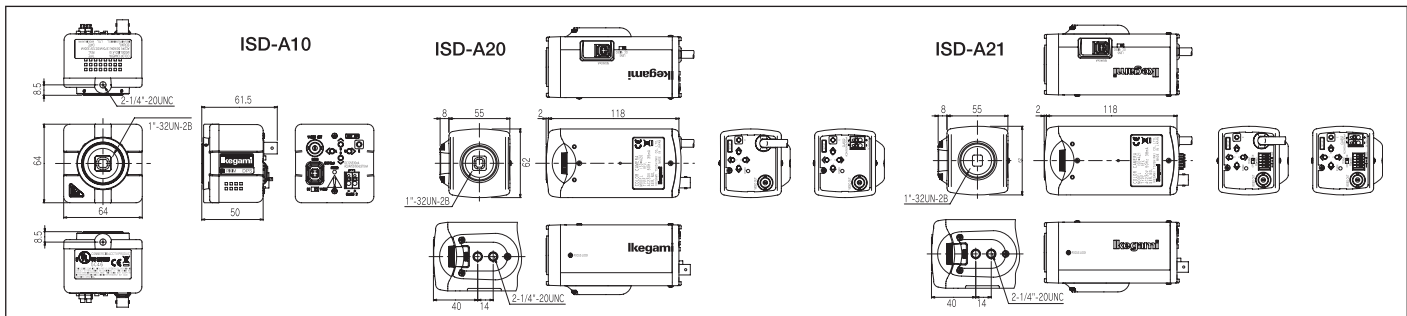
ISD-A31

Hyper Wide Light Dynamic Color Camera Series

Specifications

	ISD-A10	ISD-A20	ISD-A21
Image Sensor Device	1/3 inch PIXIM DPS sensor		
Pixel Numbers	720(H) X 540(V), 390,000 pixels, approx		
Scanning System	NTSC: 525 lines at 60Hz, 2:1 interlace, PAL: 625 lines at 50Hz, 2:1 interlace		
Sync System	Crystal controlled internal Lock or AC line lock, Selectable		
Video Output	VBS 1.0Vp-p / 75 Ω		
Horizontal Resolution	480 TV Lines or better		520 TV Lines or better
S/N Ratio	50dB or better (On Ych. Standard Illumination, Detail OFF, AGC Off)		
Minimum Illumination	1 lux /F1.4, 0.75Lux/F1.2 Hyper AGC ON[50IRE]	0.5 lux, at F1.4, 0.37 lux, at F1.2 Hyper AGC ON[50IRE]	Color:1 lux at F1.4, 0.75 lux/F1.2, AGC ON [50IRE] Monochrome:0.1 lux at F1.4, 0.75 lux/F1.2 AGC ON [25IRE]
	Electronic Sensitivity Control On, Max. 32 times multiplication 0.03 lux/F1.4, 0.022Lux/F1.2 [50IRE]	Electronic Sensitivity Control On, Max. 32 times multiplication 0.015lux/F1.4, 0.012lux/F1.2 [50IRE]	Electronic Sensitivity Control On, Max. 32 times multiplication Color:0.03 lux, at F1.4 (0.023 lux/F1.2) [50IRE] Monochrome:0.003 lux at F1.4 (0.0023 lux/F1.2) [25IRE]
White Balance control	Built-in, ATW/ ATW-ex / AWC / Manual, Selectable		
Hyper Wide Light Dynamic Range control	Built-in, 36 Steps Level Adjustment		
AGC	Built-in , ON(AGC, HYPER AGC)/ OFF(LOW,MID, HIGH Selectable)		
Electronic Sensitivity Control	Built-in, Max. 32 times Multiplication		
Digital Noise Reduction	Built-in	Built-in, On or Off Selectable	
Monitor Output Selection	—	Built-in for either CRT type or LCD type	
Day/Night Change over	—	—	Built-in, Auto/Manual Selectable
Iris level	Built-in, Level Adjustment		
Auto Iris Function	Video Iris or DC Iris Switchable		
Camera ID Function	Built in (1 line 24 Alfa numeric characters)		
Lens Mount	CS Mount (C mount Adaptor as option)		
Lens Flange Back	Built in and Adjustable		
Power Requirement	AC24V±10% (50Hz/60Hz), DC12V (10.5V~15V)		
Power Consumption	AC24V±10% (50Hz/60Hz), DC12V (10.5V~15V) AC24V:5.2Wapprox.	DC12V:3.0W approx. AC24V:3.2W approx.	DC12V:3.5W approx. AC24V:3.7W approx.
Operating Temperature	-10°C ~ +50°C (No condensation)		
Camera Mount	1/4"-20UNC x2, (Upper or Bottom, Selectable)		
Dimension	W64 X H64 X D61.5 mm(W2.52 xH2.52 x D2.42 inches)	W64 X H64 X D61.5 mm(W2.52 xH2.52 x D2.42 inches)	
Weight	350g approx.(0.77 lbs)	AC24VDC12V:420g approx. (0.92 lbs)	AC24V/DC12V:420g approx. (0.92 lbs.)
Input/Output Connector	VIDEO OUT: BNC Lens Iris Control : 4P (applicable plug:E4-191J-150 type or equivalent) AC24V/DC12 Input: 2P push-in type terminal RS-485 Input/Output: 5P terminal		VIDEO OUT: BNC Lens Iris Control : 4P (applicable plug:E4-191J-150 type or equivalent) AC24V/DC12 Input: 2P push-in type terminal RS-485 Input/Output: 5P terminal
Accessories	Instruction Manual		

Dimensions



Local Setup

Camera ID, AGC On and Off , LL/INT Sync selection and phase adjustment, Auto white balance for ATW/ATWex/AWC/Manual Selection and adjustment, Hyper wide dynamic range level, Iris level, Electronic Sensitivity control On and off, BLC Spot area setting, Detail level management, Chromatic level control and Day/Night mode selection (only ISD-A21) and thresh-hold control can be made on OSD at rear panel.

Remote Setup Function(only ISD-A21)

Remotely controlled via I-LAN over RS-485 link on OSD. It is available to set up by optional remote set up unit RCU-801(RS-232C is also available) and RCU-701.

* This product is made of ECO friendly components based upon the Company policy and Corporate Social Responsibility to help Global Environmental solution for energy conservation and environmental sustainability, and all the components used in this product are Non-hazardous, Toxic Free, Non-Lead materials and parts conforming with Japan's Green Product Regulation, EU's RoHS Direction, and other environmental and hazardous chemical substances related regulations and laws.

* Design and specifications are subject to change without notice.

SH46D073-HI-K1 Printed in Japan

Ikegami IKEGAMI ELECTRONICS (U.S.A.), INC. ■ URL <http://www.ikegami.com>

HEADQUARTERS 37 BROOK AVENUE, MAYWOOD, NJ 07607
Phone:(201) 368-9171 Fax:(201) 569-1626

WESTCOAST OFFICE 2631 MANHATTAN BEACH BLVD., REDONDO BEACH, CA 90278
Phone:(310) 297-1900 Fax:(310) 536-9550

SOUTHWEST OFFICE 773 BEARDEN WAXAHACHIE, TX 75167 Phone:(972) 869-2363 Fax:(972) 556-1057

MIDWEST OFFICE 747 CHURCH ROAD, UNIT C1, ELMHURST, IL 60126 Phone:(630) 834-9774 Fax:(630) 834-8689

SOUTHEAST OFFICE 5200 N.W. 33RD AVENUE, SUITE 111 FORT LAUDERDALE, FL 33309 Phone:(954) 735-2203 Fax: (954) 735-2227

ISO 9001



Certified
JQA-0773

ISO 14001



Certified
JQA-EM3888