

# ICD-808 1/3" HIGH PERFORMANCE

# ICD-828 1/2" LOW LIGHT

## DSP COLOR CAMERA

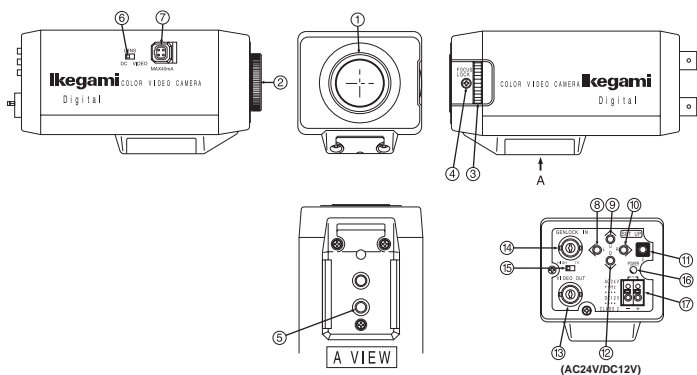


### Features

- Digital processing
- High-quality picture and high resolution
- High-sensitivity design
- Backlight compensation
- 2-way automatic iris controlling function
- Automatic white balance
- AES (Automatic Electronic Shutter)
- Flange focal distance adjusting mechanism
- OSD (On Screen Display Menu)

### Parts and Functions

- ① Lens mount (CS mount)
- ② C mount adapter (Attached to ICD-828 only)
- ③ Flange focal distance adjuster
- ④ Flange focal distance lock screw
- ⑤ Holder screw hole
- ⑥ Lens selector switch
- ⑦ Auto iris lens connector
- ⑧ ~ ⑫ Camera setting function switches
- ⑬ Video output terminal
- ⑭ External sync signal input terminal
- ⑮ External sync signal 75 Ω termination switch
- ⑯ Power indicator
- ⑰ AC24V/DC12V power input terminal



### Optional

#### Remote Control Unit RCU-701:

Multiple transmission type remote set-up unit using camera's video output cable. Many settings and functions can be remote-controlled by this unit.



### Specifications

<b>Imaging Device:</b>	1/3" Interline Transfer CCD (ICD-808) 1/2" Interline Transfer CCD (ICD-828) Effective pixels: 768 (H) x 494 (V), about 380,000 pixels Color filter: Color difference line sequential system
<b>Scanning System:</b>	2:1 interlace, as per NTSC system
<b>Vertical Sync Frequency:</b>	59.94 Hz (Corresponding to power frequency for line lock)
<b>Horizontal Frequency:</b>	15.734 kHz (Varies with power frequency for line lock; SC not synchronized)
<b>Synchronizing System:</b>	Internal sync: Crystal lock or line lock (on AC type only) External sync: GENLOCK (Automatic selection)
<b>GENLOCK Input:</b>	VBS or VS; 1.0 Vp-p/75 Ω (High impedance selectable) BBS; 0.45 Vp-p/75 Ω (High impedance selectable)
<b>Video Output:</b>	VBS; 1.0 Vp-p/75 Ω
<b>Horizontal Resolution:</b>	480 lines
<b>S/N Ratio:</b>	50 dB (p-p/rms) or more (ICD-808) 52 dB (p-p/rms) or more (ICD-828) (Luminance signal, standard illumination, DETAIL correction OFF, weighting circuit ON)
<b>Minimum Illumination:</b>	0.5 lux/F1.4 (AGC ON) (ICD-808) 0.15 lux/F1.4 (AGC ON) (ICD-828)
<b>AGC:</b>	ON (AGC, HYPER-AGC)/OFF (LOW, MID, HIGH) selectable
<b>White Balance:</b>	ATW/AWC/MANUAL selectable and adjustable
<b>DETAIL Correction:</b>	Provided (Detail level adjustable)
<b>Backlight Compensation:</b>	ON/OFF/SPOT selectable, compensation level adjustable (BLC)
<b>AES:</b>	ON/OFF selectable
<b>(Automatic Electronic Shutter)</b>	AES range: About 1:1600 (Inoperable in a region where the power frequency and the camera's vertical sync frequency are different from each other.)
<b>Electronic Shutter:</b>	OFF, 1/100, 1/125, 1/250, 1/500, 1/1000, 1/2000, 1/4000, 1/10000, VARIABLE (Selectable among 1/60 - 1/100000)
<b>Auto Iris Function:</b>	VIDEO iris/DC iris selectable (Changeover type)
<b>Camera ID Function:</b>	Provided (One line, 16 characters)
<b>Local Setting Functions:</b>	Selectable and adjustable with on-screen display using 5 control buttons; Camera ID, AES/electronic shutter, BLC ON/OFF/SPOT selection and level adjustment, DC iris level, INT/LL, external sync frequency phase adjustment, DETAIL level, AGC ON/OFF, ATW/AWC/MANU selection and adjustment, CHROMA level, PED. level, menu lock selectable
<b>Remote Setting Functions:</b>	Possible (Multiplex video communication system with RCU-701) Same presettable items as with the local setting functions CS mount (C mount adapter attachable)
<b>Lens mount:</b>	
<b>Flange Focal Distance Adjusting Mechanism:</b>	Provided
<b>Power Supply:</b>	AC24V ± 10%, 60 Hz/DC12V (10.5-28V)
<b>Power Consumption:</b>	Approx. 4.2W (ICD-808) / Approx. 4.5W (ICD-828)
<b>Working Ambient:</b>	-10 to +50°C/30-85% RH (No dew condensation) temperature/humidity
<b>Camera Mount:</b>	1/4"-20UNC (Also mountable on top)
<b>External Dimensions (WxHxD)</b>	2.52" x 2.13" x 4.72" (64 x 54 x 120 mm) (No projections and accessories included)
<b>Weight:</b>	Approx. 560g (ICD-808) / Approx. 570g (ICD-828)
<b>Input/Output Connectors:</b>	<ul style="list-style-type: none"> <li>• VBS output BNC</li> <li>• GENLOCK input BNC</li> <li>• Lens 4-pin (Applicable plug: E4-191J-100)</li> <li>• AC24V/DC12V input 2-pin push-in terminal</li> <li>• Instruction manual 1</li> <li>• C mount adapter (CMA-40) 1 (ICD-828 only)</li> <li>• Auto iris lens connector plug 1 (E4-191J-100 or equivalent)</li> </ul>
<b>Accessories:</b>	