

CS420

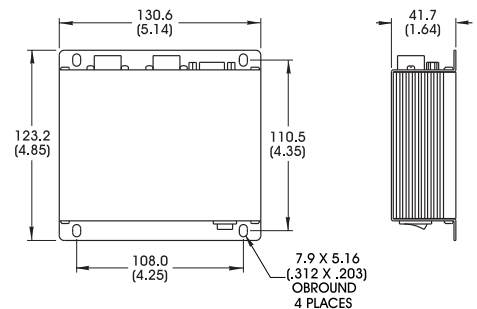
Dual Output Intensity Controller

(with digital interface)

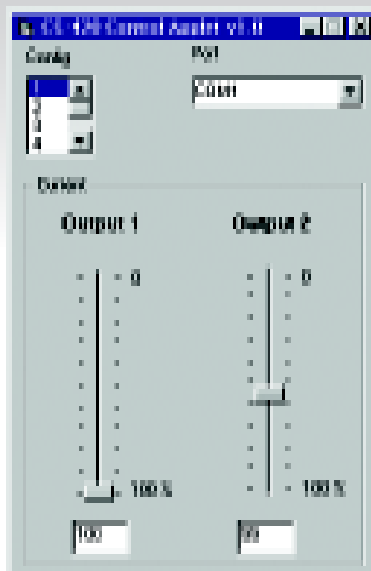
- User interface provides three button/three digit display. (RS-232 programmable as well.)
- Provides independent intensity control for two light outputs.
- Front panel terminal block provides an analog and a digital (on/off) control input for each light output.
- Signature Technology (Signatech) verifies a light head's electronic signature and automatically sets the appropriate output current level.
- Features industrialized power input terminal block as well as conventional DC jack.
- Extruded enclosures provide optimal thermal management.
- Can be used with either PS24 or PS24-TL power supplies.



CS420

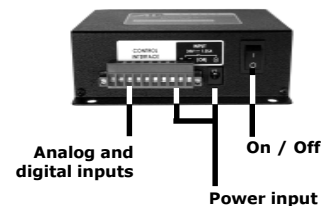


DIMENSIONS ARE IN MILLIMETERS (INCHES)



CS420 Control Applet

The CS420 Control Applet enables the user to program the intensity levels of up to two lights connected to a CS420 dual output intensity controller. Intensity is expressed as a percentage between 0 and 100 percent, where 0 percent represents minimum intensity and 100 percent maximum intensity. Maximum intensity is calculated based on the SignaTech signature of the light and various controller operating parameters.



Part Number Designation

Standard Product

SHIPPED NEXT DAY

Part Number: CS420