

# Fiber optics made simple with this versatile, low-cost fiber optic video link.

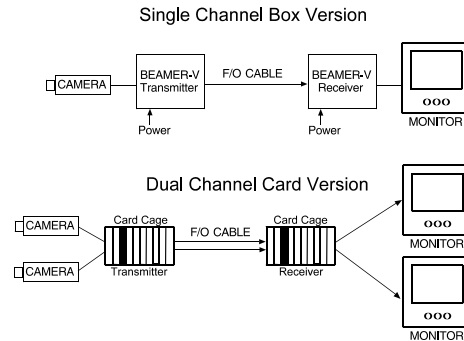
Beamer-V™ is a high-quality, low-cost fiber optic video transmission system designed to transmit color or black and white video signals at distances that can vary from a few feet to more than a mile. The system transmits over standard multimode fiber and is ideal for both indoor and protected outdoor applications, including security, videoconferencing, CCTV and medical monitoring.

Beamer-V™ features 8 MHz bandwidth and is compatible with all analog video standards, including NTSC, PAL and SECAM, and will operate with all 62.5 micron multimode fiber optic cable and industry standard ST type optical connectors.

The flexible system is available as dual channel transmitter and receiver card versions, or in a single channel box version that can be purchased as a complete system. The units are easily and quickly installed with just a simple screwdriver and are designed for long, trouble-free operation.

Immunity to the effects of electrical interference, ground loops, explosive and hazardous environments, water and high voltages make Beamer-V™ a superior low-cost alternative to coax cable.

Communications Specialties also offers multimode fiber optic cable for use with the Beamer-V™ system. Cable must be purchased separately.



## BEAMER-V™ (AM Video)



### STANDARD FEATURES INCLUDE:

- Video bandwidth of 8 MHz
- Simple to install
- Easy to use
- High performance
- Low Cost

### SPECIFICATIONS

Input/Output Voltage:	1 volt pp (user adjustable at receiver)
Input/Output Impedance:	75 Ohms
Signal/Noise Ratio: (per RS-250)	52 dB minimum
Differential Gain: (per RS-250)	2% typical
Differential Phase: (per RS-250)	1 degree typical
Optical Wavelength:	850 nanometers
Optical Cable and connectors:	62.5 micron multimode fiber; industry standard ST connectors
Optical Loss Budget:	12 dB minimum
Transmission Distance:	0 to 1.8 miles (0-3 km) typical
Operating Power: (per unit)	12 V ± 10% DC @ 100 ma maximum. Beamer-V comes with two 115 VAC to 12 VDC plug-in wall adaptors which may be used to supply all operating power.

Operating Temp.:	-35 to +75 degrees C
Physical size (per unit):	3.25 L x 2.38 W x 1 H in. (83 x 60 x 25.4 mm)
Bandwidth:	8 MHz

### ORDERING INFORMATION

Part Number	Description
3100	Transmitter Box*
3101	Receiver Box*
3105	Beamer-V™ System, including Transmitter Box, Receiver Box and two power supplies
3108A	Two Channel Transmitter Card for 6000A cage**
3109A	Two Channel Receiver Card for 6000A cage**
119757	Power Supply 115 VAC to 12 VDC @100 ma, with connector
102202	Power Supply 230 VAC to 12 VDC @100 ma, with connector

\* Power supply must be purchased separately.

\*\* Operating power is provided by the model 6000A card cage.

**WARRANTY**All Communication Specialties, Inc. products are backed by a three-year warranty on parts and labor plus a 30-day satisfaction guarantee.

Beamer V is a registered trademark of Communications Specialties, Inc. All specifications are subject to change without notice. Revised 1/24/02.