

# Transmit high resolution RGB and RS-232 data signals, plus optional mouse and keyboard, over standard multimode fiber.

The Fiberlink® High Resolution RGB system is a fiber optic transmitter/receiver pair designed to send high-resolution computer video and 2-way RS-232 data signals over six standard multimode fibers at distances of up to 3,300 feet (1 km). The system is also available with support for 2-way keyboard and mouse signals. Fiberlink High Resolution RGB has a bandwidth of 110 MHz, allowing support for video resolutions up to 1280 x 1024 at 75 Hz. The transmitter unit provides loop-through support for a local computer monitor and the receiver unit features multiple outputs. Indicator LEDs on both the transmitter and receiver indicate the presence of power, video and optical signal. The system operates at a wavelength of 850 nm with a loss budget of 7 dB.

Transmitter and receiver units are sold together in pairs. CSI also offers six strand, multimode fiber optic cable in preterminated lengths, which must be ordered separately.

## MODELS AVAILABLE:

- 3140, RGBHV Video and RS-232 data ports
- 3140-KM, RGBHV Video, RS-232 data, keyboard and mouse ports

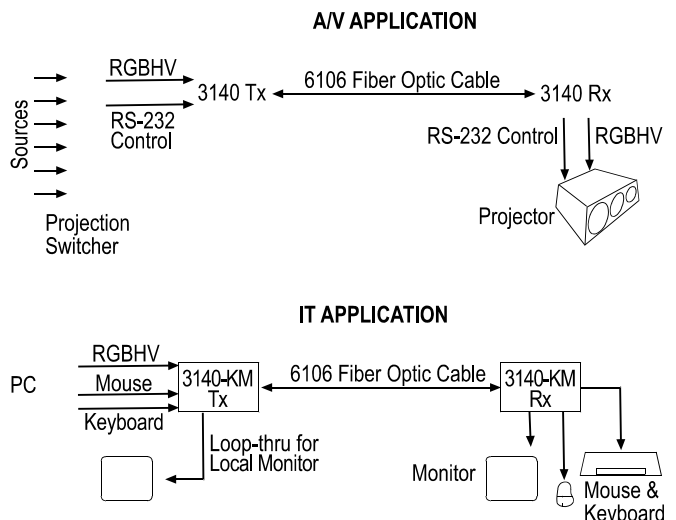
## STANDARD FEATURES INCLUDE:

- 110 MHz bandwidth
- Supports up to 1280 x 1024 at 75 Hz (SXGA)
- Uses 6 multimode fibers
- Supports 2-way RS-232 data
- Transmits over distances up to 1 km
- Adjustment-free
- Loop-through monitor support at transmitter
- Multiple outputs at receiver
- Optional 2-way mouse & keyboard transmission



## EQUIPMENT INCLUDED:

- 1 High Resolution RGB transmitter/receiver pair
- 1 DB9 female connector and 1DB9 male connector with backshells
- 1 VGA HD-15 male to HD-15 male 6 foot cable
- 2 PS/2 mini-DIN 6-pin male to mini-DIN 6-pin male 6 foot cable, 3140-KM only
- 2 AC line cords
- 8 Rubber feet
- User's manual
- 2 Rackmounting kits



---

**SPECIFICATIONS:****Video:**

- Format RGB with separate H and V sync only
- Resolutions 640x480 to 1280x1024 @ 75 Hz
- Bandwidth 110 MHz

**Data:**

- Interface RS-232 EIA/TIA 574
- Max. Baud Rate 38,400 BPS

**Optical:**

- Fiber Optic Cable Multimode, ST terminated
- Transmission distance 3,300 feet (1 km) maximum
- Operating wavelength 850 nm
- Loss budget 7 dB

*Note: Transmission distance specification is for estimating only. Loss budget may not be exceeded.*

**Mechanical:***Transmitter Connectors*

- RGBHV In, HD-15 female
- Local Monitor, HD-15 female
- RS-232, DB9 female
- Fiber Optic Interface, ST connectors, quantity 6
- Mouse, 6-pin mini-DIN female, 3140-KM only
- Keyboard, 6-pin mini-DIN female, 3140-KM only

*Receiver Connectors*

- RGBHV Out1, HD-15 female
- RGBHV Out2, HD-15 female
- RS-232, DB9 male
- Fiber Optic Interface, ST connectors, quantity 6
- Mouse, 6-pin mini-DIN female (*3140-KM only*)
- Keyboard, 6-pin mini-DIN female (*3140-KM only*)

- Operating Temperature 0 to +50 degrees C
- Relative Humidity 10 to 90 %, non-condensing
- Operating Power 100 - 240 VAC, 50/60 Hz nominal
- Size (in.) 1.75 H x 16.25 W x 6.875 D  
(44 x 412 x 175 mm)
- Certification UL/CUL approved; FCC/CE certified

**ORDERING INFORMATION:**

- 3140 High Resolution RGB with data
- 3140-KM High Resolution RGB with data, keyboard and mouse

*Fiber optic cable:*

*6 strand multimode fiber cable terminated with ST connectors*

- 6106-0100 100 feet (31 meters)
- 6106-0250 250 feet (77 meters)
- 6106-0500 500 feet (153 meters)
- 6106-0750 750 feet (229 meters)
- 6106-1000 1000 feet (305 meters)

- 6320 ST - ST Coupler (*6 needed to connect any two 6106 cable assemblies*)