

Four channel optical D.A. works with all one-way Pure Digital Fiberlink systems, providing infinite signal extension and distribution options

The Pure Digital Fiberlink® 8000 Series is an optical distribution amplifier (D.A.) that may be configured to transmit from one to four channels of any type of signal(s) supported by the Pure Digital Fiberlink line of products. The 8000 Series D.A. receives an optical signal from any Pure Digital Fiberlink transmitter and then digitally regenerates and relaunches it without incurring any additional degradation to the original baseband video, audio or data signal(s). Depending on the configuration of the D.A., the signal is relaunched over one to four separate fibers, creating up to four identical "copies" of the original optical signal.

Each 8000 Series unit may be configured to receive signals over multimode or single mode fiber at wavelengths of 850, 1310 or 1550 nm. The fiber type and wavelength for the output channels are

configured separately; each may be different. Each channel may transmit to either a Pure Digital Fiberlink receiver unit or to another 8000 or 8100 Series D.A., allowing for complex distribution designs. The units are available as free standing box units, or as cards that fill two slots in the model 6000A Rackmountable Card Cage.

FEATURES INCLUDE:

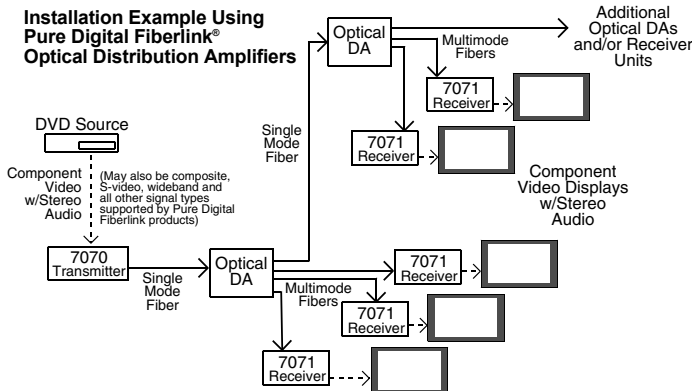
- Absolutely no degradation to original baseband signals
- Works with all one-way Pure Digital Fiberlink systems
- 1, 2, 3 or 4 Channels
- Inputs and outputs separately configured
- 850, 1310 or 1550 nm
- Stand-alone box or card version. Card fills two slots in the model 6000A rackmountable card cage.

PURE DIGITAL FIBERLINK®

Four Channel Optical Distribution Amplifier 8000 Series



Installation Example Using Pure Digital Fiberlink® Optical Distribution Amplifiers



ORDERING INFORMATION:

- 4 Channel Optical DA Unit
Configured for 1 output P/N (each "W" = one output)
Configured for 2 outputs 8001-x-yz-w
Configured for 3 outputs 8002-x-yz-ww
Configured for 4 outputs 8003-x-yz-www
 8004-x-yz-wwww

Output Configurations:
 w=A for 850nm, MM, ST
 w=B for 850nm, MM, FC
 w=C for 1310nm, MM, ST
 w=D for 1310nm, MM, FC
 w=E for 1310nm, SM, ST
 w=F for 1310nm, SM, FC
 w=G for 1550nm, SM, ST
 w=H for 1550nm, SM, FC

- Power Supply PDPS-1-pp
 pp=NA for N. America pp=JP for Japan
 pp=AU for Australia pp=UK for United Kingdom
 pp=EU for Europe